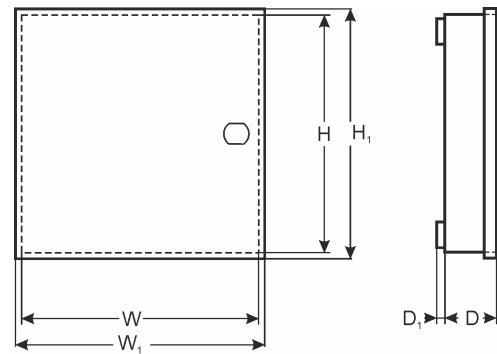


CODE: **AWO000 v1.7/III**  
 NAME: **7/TRP20/DSPR**



## DESTINATION

**DSC:** PC 1404, 1616, 1832

**MODULES:** 2x (4108, 5108, 5208, 5100, 4116)  
 4204, 4216, 4580, 5400, 5204, 5580, 5200

**PARADOX:** 728ULT, E55, E65, SP4000, SP5500, SP6000

**MODULES:** ZX8, APR3- HUB2, ZX8SP, APR3-ADM2 PGM4

**RISCO:** PRO24

**MODULES:** E04, EZ8, EZ16

**SATEL:** CA4V1, CA5, CA6, VERSA5,10, INTEGRA24

**MODULES:** CA64 (PP, EPS, ADR, O-R, O-ROC, O-OC, OPS- OC, OPS- R, OPS- ROC, VGM- 16, SR)

**PYRONIX:** MATRIX 424, 6

**CROW:** RUNNER 4,8

**SUMMIT:** PENTA

**ROEL:** SIGMA6,12, CERBER

**EBS:** PX202A

## TECHNICAL DATA

<b>External dimensions of the enclosure:</b>	W=250, H=250, D+D1=80+8 [±2 mm]
<b>External dimensions of the front panel:</b>	W1=255, H1=255 [±2 mm]
<b>Weight net/gross:</b>	2,00kg / 2,10kg [±0,1kg]
<b>Battery space:</b>	7Ah/12V Sealed Lead Acid (SLA)
<b>Transformer:</b>	TRP 20VA/16V/18V in the case of PC/ABC in class UL94-V0, IP30
<b>Power supply</b>	230V/AC (-15%/+10%), 50Hz, 120mA (max.)
<b>Power supply output:</b>	U1=16V/AC or U2=18V/AC (-5%, +15%), I1=1,2A or I2=1,0A (max.)
<b>Operating environment:</b>	class II, -10°C+ 40°C
<b>Material description:</b>	sheet steel DC01, thickness: 0,7mm, protection anticorrosion, color: RAL 9003
<b>Destination:</b>	indoor
<b>Tamper protection:</b>	1 x microswitch: opening, 0,5A@50V/DC max. NC
<b>Closing:</b>	screwed x 4
<b>Notes:</b>	optional: lockable, distance from wall (mounting surface) - 8mm, easy door removal
<b>Declaration, warranty:</b>	CE, 2 year from the production date